

Output power:	max.	12000 Watt	Typical applications:	Laboratory plating lines
DC current:	max.	600A (at 20V)	Precious metal plating	Reel-to-reel plating
DC voltage:	max.	600V (at 20A)	PCB lines	Manual plating lines

DC power supply with switch mode technology, designed for use in electroplating and/or for installation in a cabinet.



POWER STATION pe4606-2, front view



POWER STATION pe4606-2, back view

Characteristic values

Linearity inaccuracy:

- for amperage < 1 %
- for voltage < 0.5 %

Ripple less than < 1 % (0 - 300 Hz)

Efficiency typical: up to 92%

Powerfactor cos φ : 0,95 and higher

Constant current and voltage control

Soft start function

Mains supply: standard 3x380 V - 460 V +/- 10 % / 50-60 Hz
(other voltage on request)

Cooling

Optimized cooling air guiding, air consumption max. 2x 100m³/h

Cooling air outlet in front panel (turned air flow on request)

Ambient temperature 35°C (other on request)

Display

Status-LED, Blink-Codes

Design

Protection grade IP20; sealed air duct

Anodized aluminium front panel

DC connector in back panel

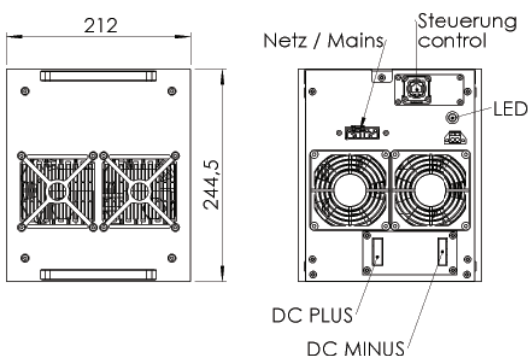
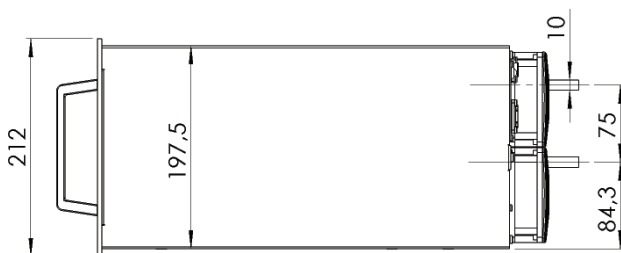
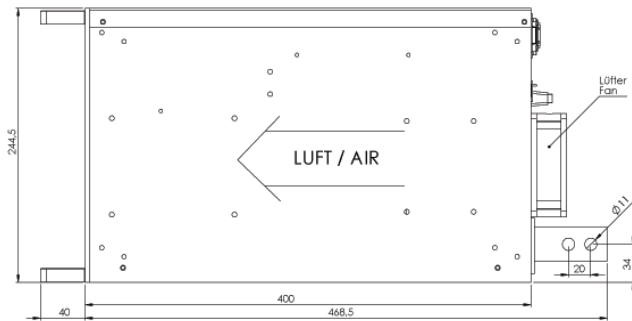
Easy installation

Standard version: see picture

EMV: EN55011 class A, group 1 ; EN61000-6-4 and EN61000-6-2;
CE-conformity IEN50178 - low voltage guide line

Values	Standard sizes - DC output ¹						other sizes on request			
	600 A						500 A	400 A	120 A	20 A
DC current	600 A						500 A	400 A	120 A	20 A
DC voltage	6 V	10 V	12 V	15 V	20 V	24 V	30 V	100 V	600 V	
Mains supply	3 x 380 V - 460 V AC - wide range									
Weight	approx. 24 kg									

Standard dimensions



Control

Standard: peRB-interface

Optional: external control via analog signals, also with integrated isolation amplifier

Signals: 0-10V
0-1V
4-20mA
0-20mA (other on request)

Control unit pe280 for the controlling of DC power supplies

Designed for electroplating applications

Large 3-line LCD-display, Keypads for easy programming/selection

Current and voltage infinitely adjustable by UP / DOWN buttons

Current and voltage preset

Ampere-hour counter (totalizer)

Protection grade: IP54

Ambient temperature max. 40°C



Optional available functions

Preset counter, dosage counter *

Ramp function (start / stop ramp)

Timer function for ON / OFF *

Voltage / current alarm *

Operating hours counter

Chopper timer (pulse-capable rectifier type requested)

Pole changer function (mechanical / electronic) *

Programmable DC steps (14 individual steps) *

Extern ON

* Indication / alarm output

Control via: RS485, PROFIBUS, TCP/IP (other on request)

DC connector

Tin-coated copper bars *

Size, location and design of the DC output bus bars may differ from the standard

* DC output bus bars from 30A or up to 48V

* High voltage clamps from 0 - 30A or 50V and higher

Technical equipment, design and features: subject to change! For further information please contact plating electronic GmbH.

plating electronic GmbH | 79350 Sexau | Fon +49 7641 93500-0 | www.plating.de
Rheinstr. 4 | Germany | Fax +49 7641 93500-999 | info@plating.de