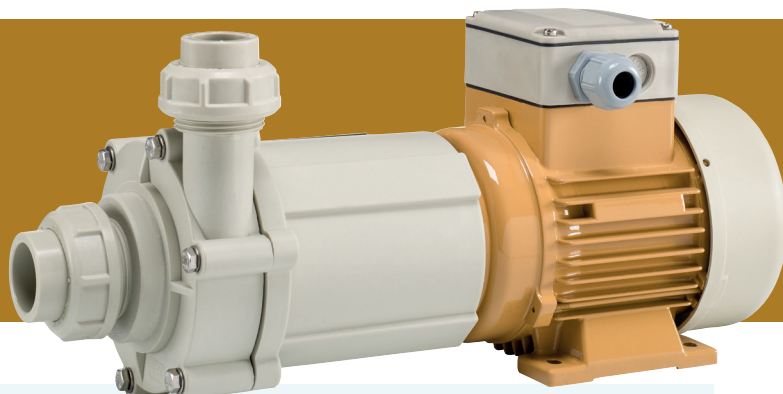


## HORIZONTAL PUMPS

### Magnetic drive

### MX40 .. M120 - PP/PVDF



MX60-PP

## 9 - 53 gpm

Magnetic drive pump, sealless and therefore leak free and safe for people, environment and equipment.

The MX series combines optimized hydraulic efficiency with a robust, compact and reliable construction. This results in maximum installation uptime and a long service life, providing best in class performance, technically and economically. The MX series is designed and manufactured for transfer and circulation of chemicals. Easy to build-in and -out, specially for OEM configurations.

### Features

- Magnetic drive
- Sealless, 100% leak free
- Ceramic/PTFE bearings
- Including complete +GF+ union ends
- EPDM elastomers for PP and FPM for PVDF
- Max. temperature PP 80°C, PVDF 100°C
- Stainless steel fasteners and type shields
- Extra strong neodymium magnets
- Single stage operation
- High quality European, purpose designed electric motor:
  - 3 phase, 50/60 Hz, 2900/3500 rpm, IP55, multi voltage
  - with double layer 2C chemical resistant coating
  - including fan cover and wiring box
  - suitable for frequency drive control

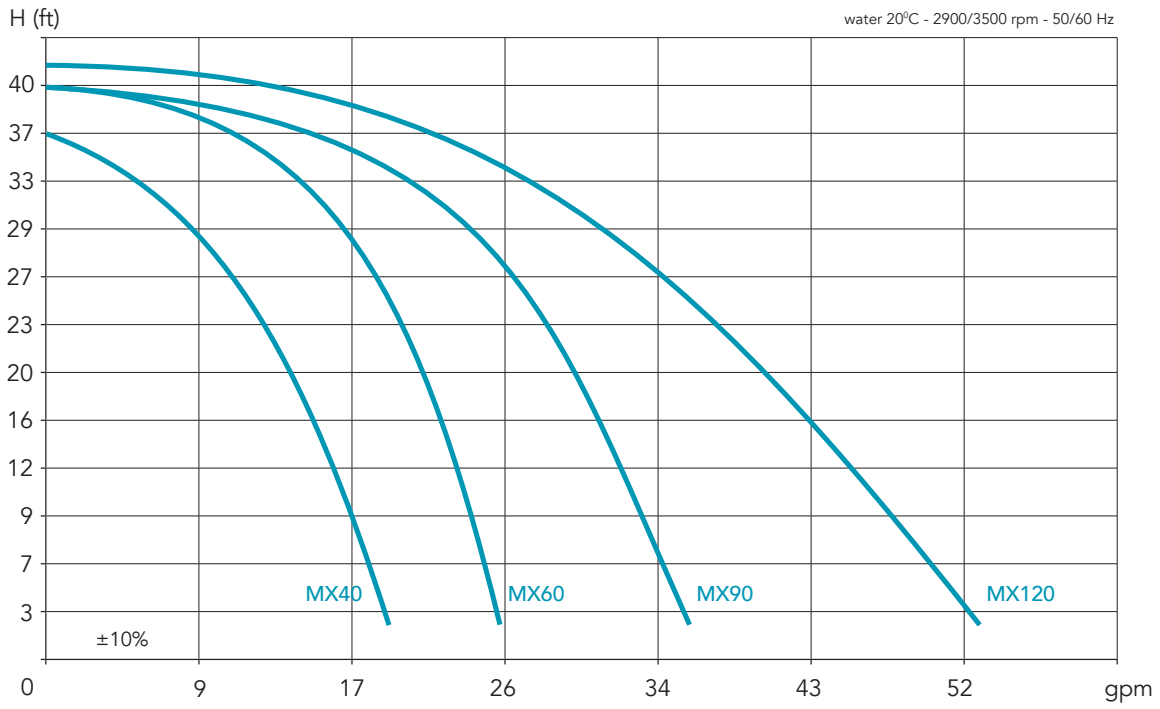
### Options

- Hose connections
- Union sockets in PVC or CPVC
- Specific bearings and elastomers
- Dry run protection
- Priming chamber
- Electric motor options:
  - motor mounted frequency drive
  - EMC compatibility
  - PTC thermistor
  - thermal overload incl. switch and lead
  - single phase
  - specific voltages
  - electrical lead (4 m)
  - other RAL colours

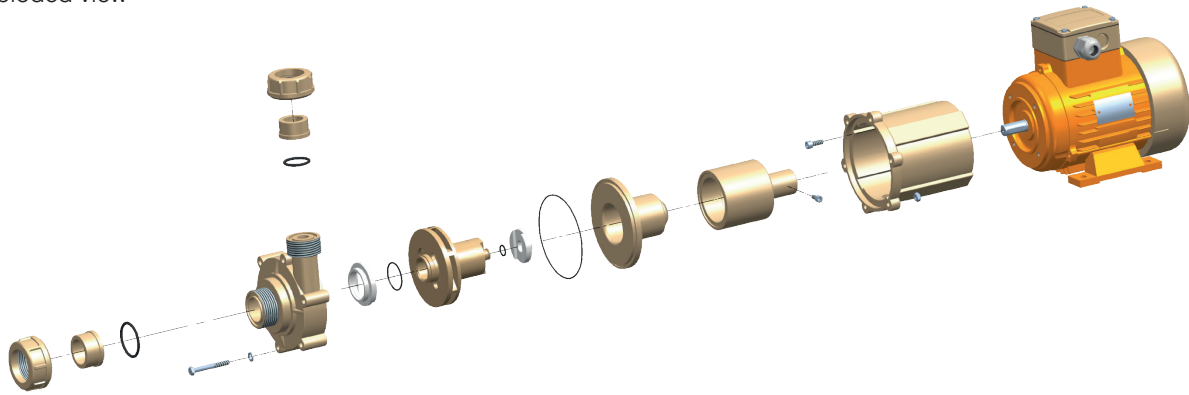
Type	Material	Q max (gpm)	H max (ft)	Motor		I nom. (A) 400V-50Hz	In (d/DN)	Out (d/DN)	Net weight (kg)	
				kW	HP				PP	PVDF
MX40	PP or PVDF	18	36	0,18*	1/4	0,5	32/25	20/15	7	7
MX60		26	40	0,25*	1/3	0,7	32/25	20/15	7,5	8,5
MX61		26	40	0,37*	1/2	1,2	32/25	20/15	7,5	8,5
MX62		26	40	0,55	3/4	1,5	32/25	20/15	7,5	8,5
MX90		36	40	0,37*	1/2	1,2	32/25	20/15	9	9
MX91		36	40	0,55	3/4	1,5	32/25	20/15	9	9
MX120		53	41	0,55	3/4	1,5	40/32	32/25	9	11

Selection example: MX60-PP

\* For 3-phase motors <220V the indicated motor will be one size bigger



Exploded view



Dimensions

Type	"D"	"I"	"N"	In	Out
MX40	371	178	144	32/25	20/15
MX60	371	178	144	32/25	20/15
MX90	391	191	138	32/25	20/15
MX120	422	191	138	40/32	32/25

