

VERTICAL IMMERSION PUMPS

Series D16 - Stainless Steel 316L



D16-50-400-SS

22 - 295 gpm

Vertical single stage centrifugal immersion pump, sealless and dry-run safe for non-pressurized tank application. With standard DIN11851 (food/dairy) thread for easy and leak free connection with pipe work.

The D16 series combine maximum hydraulic efficiency with a robust, compact and reliable construction, resulting in maximum installation uptime and a long service life. Ideal for high alkaline cleaners, electroless nickel and all various heavy duty, high temperature applications.

Features

- Cantilever design, no seal or bearing, can run dry
- Extended free turning 316L motor shaft
- Self priming when flooded
- Open impeller allowing solids up to 6 mm
- Temperature up to 130°C
- EPDM elastomers
- Shaft labyrinth to prevent vapours attacking motor
- Versions:
 - for in-tank or out-of-tank (OT) installation
 - with discharge pipe (X) and without
- High quality European, purpose designed electric motor:
 - 3 phase, 50/60 Hz, 2900/3500 rpm, IP55, multi voltage
 - with double layer 2C chemical resistant coating
 - suitable for frequency drive control
 - stainless steel fasteners
- DIN11851 threaded connection, for easy loosen and tighten

Options

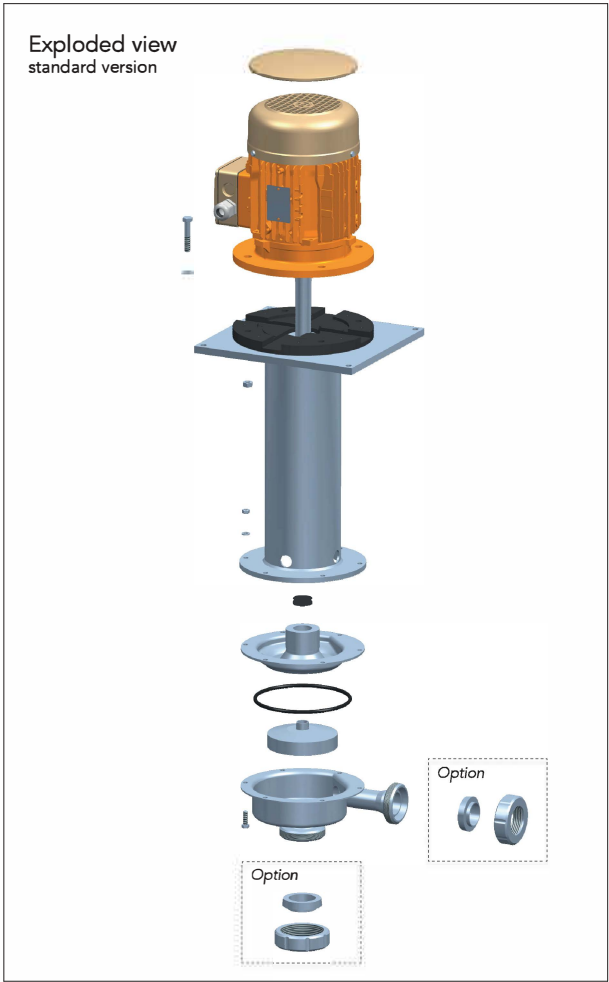
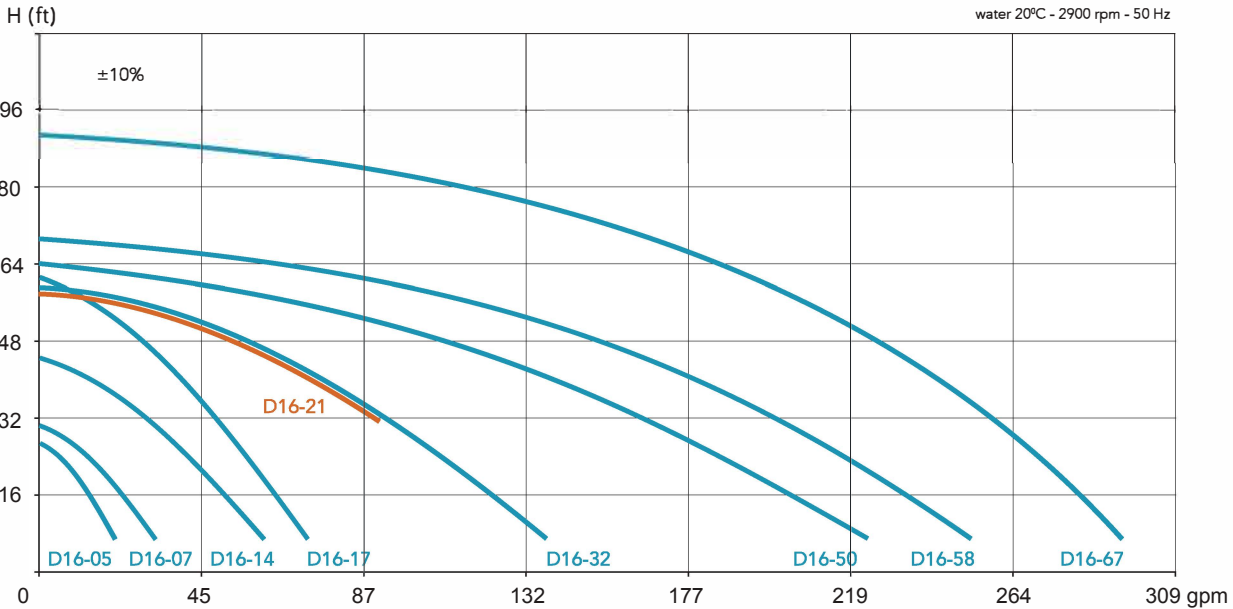
- Nut, liner and seal to complete the union
- Electrochemically polished finish¹⁾
- Isolated potential connection for Protectostat™²⁾
- Specific elastomers
- Customised mounting plate, SS or PP
- Suction extension pipe
- Suction strainer
- Version for < 230 Volt
- Electric motor options:
 - EMC compatibility
 - including frequency drive
 - single phase
 - electrical lead (4 m)
 - filter pad for fan cover
 - other RAL colour

¹⁾ to be considered for use in electroless nickel

²⁾ for OT version in electroless nickel

Type ¹⁾	Material	Q max (gpm)	H max (ft)	Motor		I nom. (A) 400V-50Hz	Outlet thread DIN11851	Immersion length (mm)
				kW	HP			
D16-05-260	SS	22	23	0,25	1/3	0,7	DN25	260
D16-07-260		31	31	0,37	1/2	1,2	DN25	260
D16-14-400		59	48	0,75	1	1,6	DN32	400
D16-17-400		75	63	1,1	1½	2,3	DN32	400
D16-21-400		92	63	1,5	2	2,9	DN40	400
D16-32-400		140	63	2,2	3	4	DN40	400
D16-50-400		220	66	3	4	5,6	DN50	390
D16-58-400		255	69	4	5½	7,2	DN50	390
D16-67-400		295	92	5,5	7½	10,2	DN50	390

¹⁾ For version with discharge pipe add "X" and for Out-of-Tank add "OT". Selection example: D16-07-270-X-SS



D16-14-400-OT-SS



D16-21-400-X-SS
 with options:
 -polished finish
 -union ends