

Output power:	4 - 200 Watts	Typical applications:	Laboratory plating lines
DC current:	1 - 15 A (max. 15 A / 12 V)	Precious metal plating	Reel-to-reel plating
DC voltage:	4 - 30 V (max. 30 V / 6 A)	PCB lines	Manual plating lines

DC power supply linear-controlled, designed for use in electroplating.



POWER STATION pe4606LIN, front view

Characteristic values

Linearity inaccuracy:
- for amperage < 0.3 %
- for voltage < 0.3 %

Ripple less than < 0.3 %

Constant current and voltage control

Soft start function

Over temperature protection

Mains supply: standard 230 V +/- 10 % / 50-60 Hz

Cooling

Optimized cooling air guiding, air consumption max. 100m³/h

Cooling air outlet in front panel (turned air flow on request)

Ambient temperature 35°C (other on request)



POWER STATION pe4606LIN, back view

Design

Protection grade IP33 (fan: IP20)

Anodized aluminium front panel

DC connector in back panel

Easy installation

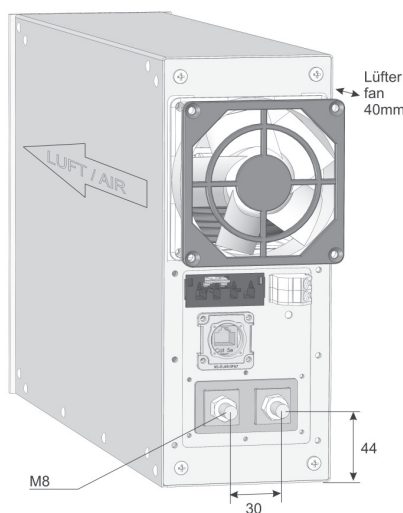
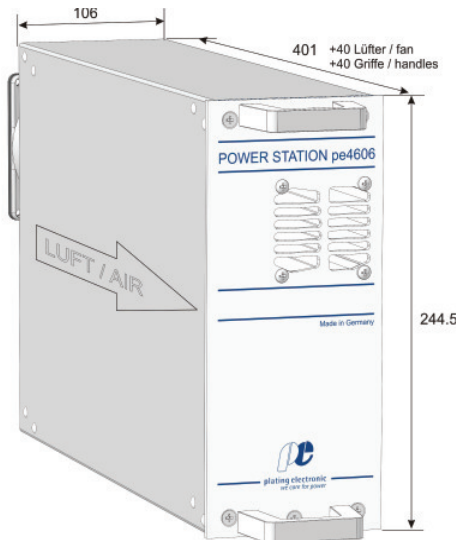
Designed for installation in a cabinet

Standard version: see picture

EMV: EN50011 class A, group B ; EN61000-6-4 and EN61000-6-2;
CE-conformity low voltage guide line: EN50178

Values	Standard sizes – DC output ¹				¹ other sizes on request
DC current	15 A	12 A	10 A	1 A, 2 A, 3 A, 5 A	
DC voltage	4 V - 10 V	4 V - 15 V	4 V - 20 V	4 V - 6 V - 10 V - 15 V - 20 V - 24 V - 30 V	
Mains supply	230 V AC / 50-60Hz				
Weight	approx. 7.5 kg				

Standard dimensions



DC output screw M8

Control

Standard: peRB-interface

Optional: external control via analog signals, also with integrated isolation amplifier

Signals: 0-10V
0-1V
4-20mA
0-20mA (other on request)

Control unit pe280
for the controlling of
DC power supplies of
the series POWER STATION pe4606LIN

Designed for electroplating applications
Large 3-line LCD-display,
polycarbonate-keypad for easy operation
Current and voltage infinitely adjustable
by UP / DOWN buttons



Current and voltage preset

Ampere-hour counter (totalizer)

Protection grade: IP54

Ambient temperature max. 40°C

Optional available functions

Preset counter, dosage counter *

Ramp function (start / stop ramp)

Timer function for ON / OFF *

Voltage / current alarm *

Operating hours counter

Pole changer function (mechanical / electronic) *

Programmable DC steps (14 individual steps) *

Extern ON

* Indication / alarm output

Control via: RS485, PROFIBUS, TCP/IP (other on request)

DC connector

M8 screw, max. torque: 9Nm

Size, location and design of the DC output bus bars may differ from the standard