

## POWER STATION pe4206

Output power:	5200	-	40.000 Watts
DC current:	0	-	1000 A (max. 1000 A / 40 V)
	1001	-	2000 A (max. 2000 A / 20 V)
DC voltage:	0	-	400 V (max. 400 V / 100 A)
	401	-	1000 V (max. 1000 V / 40 A)

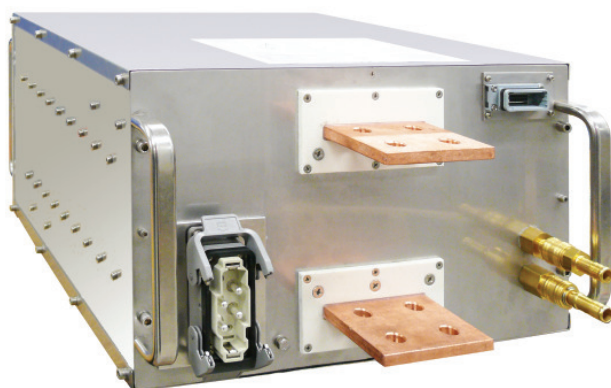
### Typical applications:

Chrome plating	Barrel plating
Anodizing/Aluminium colouring	Rack plating

DC power supply in switch mode technology, designed for use in electroplating.



POWER STATION pe4206, front view



POWER STATION pe4206, back view

### Characteristic values

#### Linearity inaccuracy:

- for amperage < 1 %
- for voltage < 0.5 %

Ripple less than < 1 %

Efficiency typical > 85 %

Powerfactor  $\cos \varphi$  0,95

Constant current and voltage control

Soft start function

Microprocessor controlled regulation

Mains supply: standard 3 x 400 V +/-10% / 50-60 Hz without N  
(other voltages on request)

### Cooling

Water cooled, over temperature protected

Ambient temperature 5° - 40°C

### Design

Protection grade IP53

Anodized aluminium front panel

DC connection in back panel

Water connections 1/2 inch thread or bayonet connector  
(cooling: brass / copper pipes)

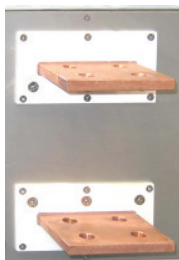
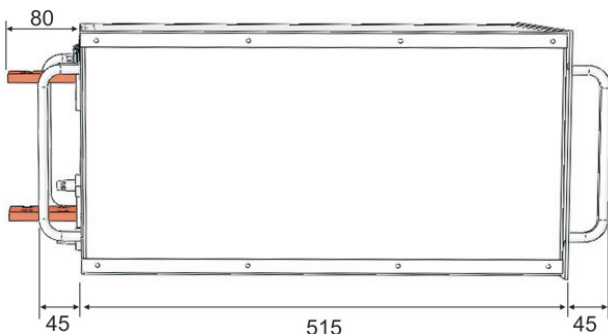
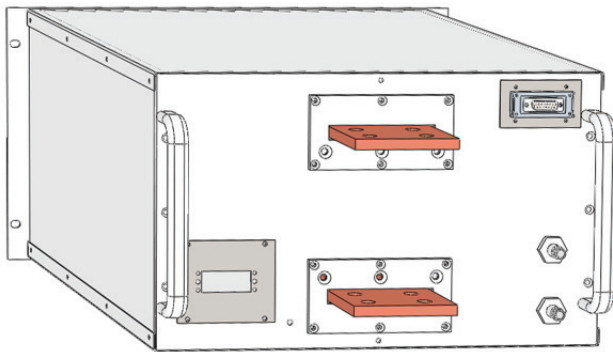
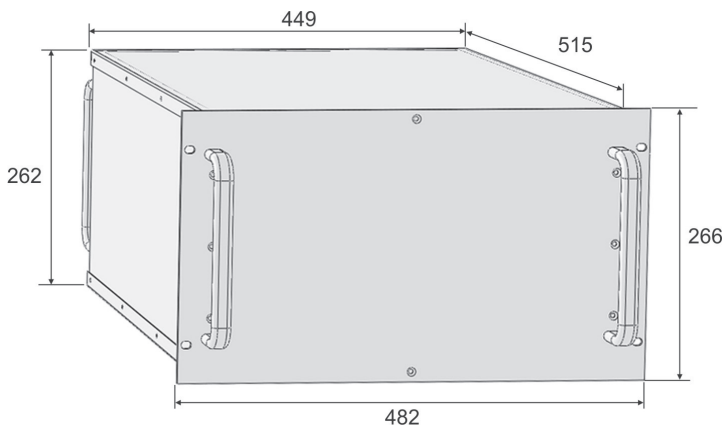
Operation parallel and serial (DC output) of up to 30 units possible

EMV: EN50011 class A, group B ; EN61000-6-4 and EN61000-6-2;  
CE-conformity low voltage guide line: EN50178

Values	Standard sizes - DC output <sup>1</sup>										other sizes on request		
	2000 A										1000 A	40 A	
DC current													
DC voltage	4 V	5 V	6 V	8 V	10 V	12 V	15 V	18 V	20 V	24 V	30 V	1000 V	
Mains supply	3 x 400 V AC												
Weight	approx. 105-125 kg												

Cooling water specifications: Tap water quality			
Sulfate ions	< 240 mg/l	pH-value	7,0 - 8,0
Nitrate ions	< 50 mg/l	Hardness degree	<= 7 dH
Sodium ions	< 150 mg/l	Cooling water inlet temperature	22°C - 25°C

### Standard dimensions



DC output bus bars

### Control

Standard: peRB-interface

Optional: external control via analog signals, also with integrated isolation amplifier

Signals: 0-10V  
0-1V  
4-20mA  
0-20mA (other on request)

Control unit pe280  
for the controlling of  
DC power supplies of  
the series POWER STATION pe4206



Designed for electroplating applications

Large 3-line LCD-display,  
polycarbonate-keypad for easy operation  
Current and voltage infinitely adjustable  
by UP / DOWN buttons

Current and voltage preset

Ampere-hour counter (totalizer)

Protection grade: IP54

Ambient temperature max. 40°C

### Optional available functions

Preset counter, dosage counter \*

Ramp function (start / stop ramp)

Timer function for ON / OFF \*

Voltage / current alarm \*

Operating hours counter

Chopper timer (pulse-capable rectifier type requested)

Pole changer function (mechanical / electronic) \*

Programmable DC steps (14 individual steps) \*

Extern ON

\* Indication / alarm output

Control via: RS485, PROFIBUS, TCP/IP (other on request)

### DC output bus bars

Tin-coated copper bars

Size, location and design of the DC output bus bars may differ  
from the standard

Technical equipment, design and features: subject to change! For further information please contact plating electronic GmbH.