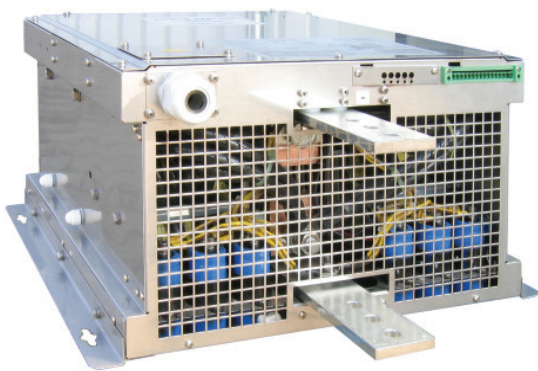


Output power:	2000 - 15000 Watts	Typical applications:	Laboratory plating lines
DC current:	500 - 2000 A (max. 2000 A / 6 V)	Precious metal plating	Reel-to-reel plating
DC voltage:	4 - 30 V (max. 1000V / 15 A)	PCB lines	Rack plating

DC power supply with switch mode technology, designed for use in electroplating and/or for installation in a cabinet.



POWER STATION pe3000-6, front view



POWER STATION pe3000-6, back view

Characteristic values

Linearity inaccuracy:

- for amperage < 1 %
- for voltage < 0.5 %

Ripple less than < 1 %

Efficiency typical > 85 %

Powerfactor $\cos \phi$ 0,95

Constant current and voltage control

Soft start function

Over temperature protection

Internal shunt with 60 mV at I_{nenn}

Pulse operation optional

Mains supply: standard 3x400 V +/- 10 % / 50-60 Hz without N
(other voltages on request)

Cooling

Optimized cooling air guiding, air consumption
up to 12000W max. 540m³/h
up to 15000W max. 800m³/h

Cooling air outlet at the round air grids (turned air flow on request)

Ambient temperature 35°C (other on request)

Design

Stainless steel casing, optional coated, protection grade IP20

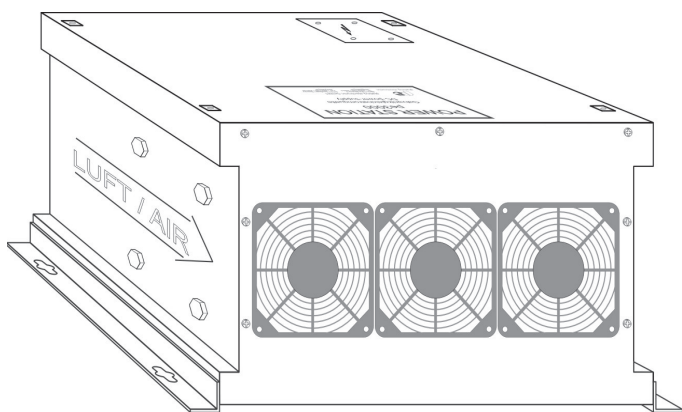
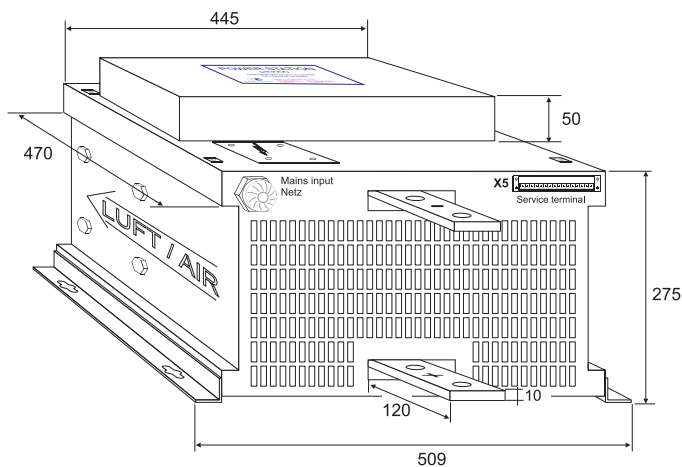
DC connection via screw terminals or tin plated copper bus bars

High voltage proof DC terminals (above 60 V)

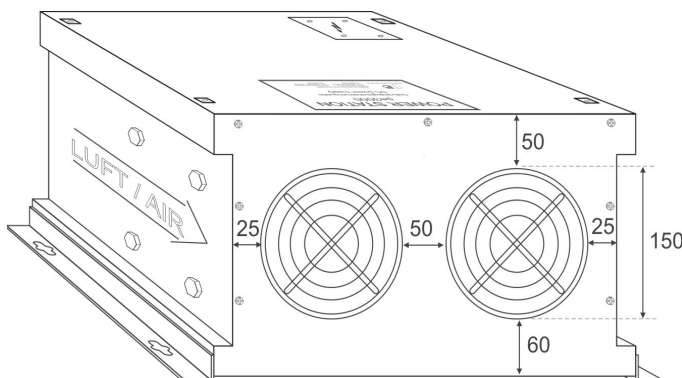
EMV: EN50011 class A, group B ; EN61000-6-4 and EN61000-6-2;
CE-conformity low voltage guide line: EN50178

Values	Standard sizes - DC output ¹											1000 V
	2000 A			1500 A		1200 A	1000 A	800 A	600 A		500 A	
DC current												
DC voltage	4 V	5 V	6 V	8 V	10 V	12 V	15 V	18 V	20 V	24 V	30 V	
Mains supply	3 x 400 V AC											
Weight	approx. 45 kg											

Standard dimensions



up to 12000 Watt, air consumption 540m³/h



up to 15000 Watt, air consumption 800m³/h

Control

Analog signals Iset, Uset, Iact, Uact = 0-10 V

Control optional available (with raised casing)

Analog signals galvanically isolated via isolation amplifier:
0-10V, 4-20mA, 0-20mA (other on request), X4-terminal

Serial interface RS485: X6 and X7 terminal

Control unit pe280 for the controlling of DC power supplies of the series POWER STATION pe3000



Designed for electroplating applications

Large 3-line LCD-display,
polycarbonate-keypad for easy operation

Current and voltage infinitely adjustable
by UP / DOWN buttons

Current and voltage preset

Ampere-hour counter (totalizer)

Protection grade: IP54

Ambient temperature max. 40°C

Optional available functions

Preset counter, dosage counter *

Ramp function (start / stop ramp)

Timer function for ON / OFF *

Voltage / current alarm *

Operating hours counter

Chopper timer (pulse-capable rectifier type requested)

Pole changer function (mechanical / electronic) *

Programmable DC steps (14 individual steps) *

Extern ON

* Indication / alarm output

Control via: RS485, PROFIBUS, TCP/IP (other on request)

Technical equipment, design and features: subject to change! For further information please contact plating electronic GmbH.