

<b>Output power:</b>	100 - 750 Watts	<b>Typical applications:</b>	Laboratory plating lines
<b>DC current:</b>	25 - 60 A (max. 60 A / 12 V)	Precious metal plating	Reel-to-reel plating
<b>DC voltage:</b>	4 - 30 V (max. 250V / 3 A)	PCB lines	Manual plating lines

DC power supply with switch mode technology, designed for use in electroplating and/or for installation in a cabinet.



POWER STATION pe3000-1, front view

### Characteristic values

Linearity inaccuracy < 0,5 %
Ripple less than < 0,5 %
Efficiency typical > 85 %
Powerfactor $\cos \varphi$ 0,95
Constant current and voltage control
Soft start function
Over temperature protection
Internal shunt with 60 mV at $I_{nenn}$
Pulse operation optional
Mains supply: standard 230 V +/- 10 % / 50-60 Hz (other voltages on request)

### Cooling

Air cooled, convection cooling
Ambient temperature 35°C (other on request)



POWER STATION pe3000-1, lateral view

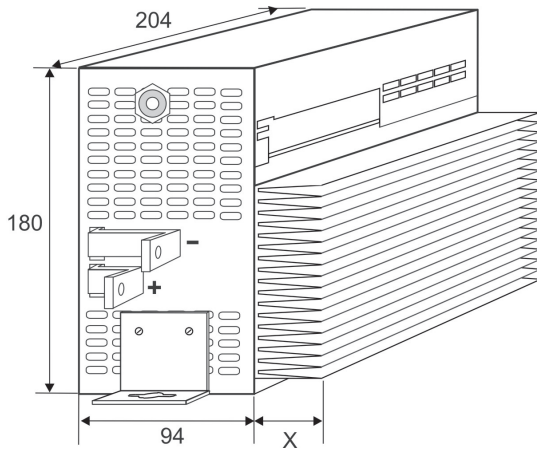
### Design

Stainless steel casing, optional coated, protection grade IP20
DC connection via screw terminals
High voltage proof DC terminals (above 60 V)

EMV: EN50011 class A, group B ; EN61000-6-4 and EN61000-6-2;  
CE-conformity low voltage guide line: EN50178

Values	Standard sizes – DC output <sup>1</sup>													<sup>1</sup> other sizes on request	
	60 A						50 A	40 A	30 A		25 A			3 A	
DC current	4 V	5 V	6 V	8 V	10 V	12 V	15 V	18 V	20 V	24 V	20 V	24 V	30 V	250 V	
DC voltage															
Mains supply	230 V AC														
Weight	approx. 6 kg														

### Standard dimensions



### Control

Analog signals:

Iset / Uset = 0-10V

Iact = 0-1V

Uact = 0V-Unenn

Control unit pe280  
for the controlling of  
DC power supplies of  
the series POWER STATION pe3000

Designed for electroplating applications  
Large 3-line LCD-display,  
polycarbonate-keypad for easy operation  
Current and voltage infinitely adjustable  
by UP / DOWN buttons

Current and voltage preset

Ampere-hour counter (totalizer)

Protection grade: IP54

Ambient temperature max. 40°C



### Optional available functions

Preset counter, dosage counter \*

Ramp function (start / stop ramp)

Timer function for ON / OFF \*

Voltage / current alarm \*

Operating hours counter

Chopper timer (pulse-capable rectifier type requested)

Pole changer function (mechanical / electronic) \*

Programmable DC steps (14 individual steps) \*

Extern ON

\* Indication / alarm output

Control via: RS485, PROFIBUS, TCP/IP (other on request)

Technical equipment, design and features: subject to change! For further information please contact plating electronic GmbH.